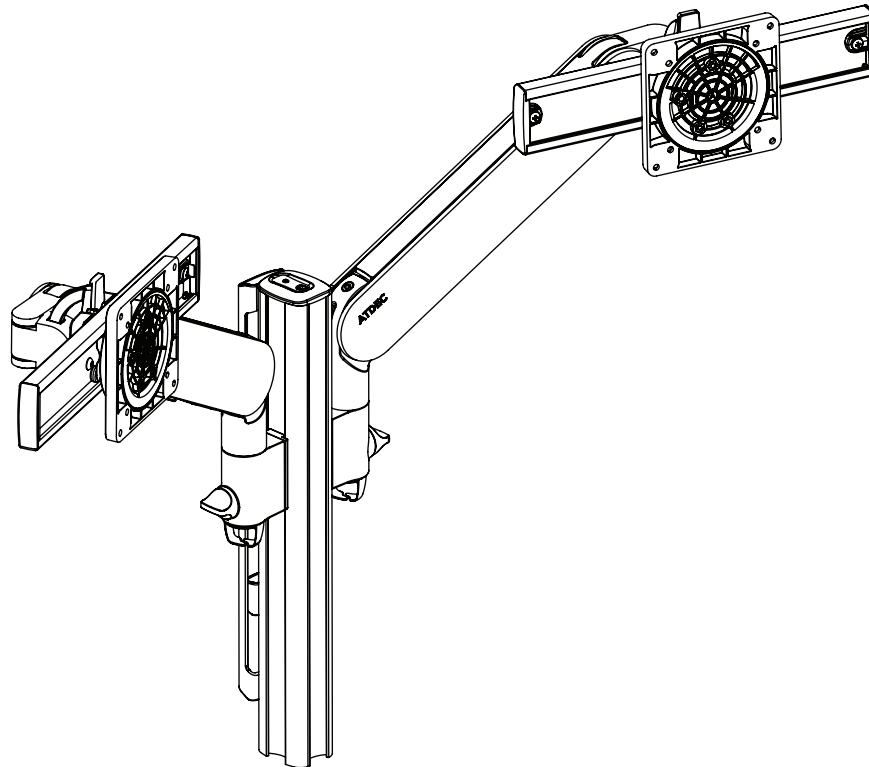


Dual Dynamic Link Solution



FEATURES

- Dual display mounting solution to suit most monitors between 27" - 34". Larger monitors within the weight capacity may be compatible, refer to Monitor Size (page 2).
- Balanced tilt mechanism for dynamic viewing angle selection.
- Combine with compatible post to achieve desired vertical range (AWM-P13; AWM-P40X; AWM-P40G; AWM-P75G).
- Effortless counterbalance adjustment with an easy-to-read gauge for fast bulk installations.
- Adjustable portrait-to-landscape rotation tension.
- Integrated, toolless 180° arm rotation limiters to prevent interference with walls and workstation dividers.
- Generous cable management guides cables discreetly down the arm to the work surface.
- Symmetrical configuration with central Post.

Display weight	2-6kg* (4.4-13.2lb)
Display size	27" - 34"† (Curved or Flat)
Display depth	Up to 140mm (5.5")
Tilt adjustment	+45° / -20°
Rotation adjustment	+/- 95°
Vertical adjustment	315mm (12.4") Dynamic
VESA mounting	75x75 100x100
Primary materials	Aluminium, Steel, Engineering Polymers

*Monitor weight should be within the weight range of all modular elements that make up the complete monitor mounting solution.

†Deep devices (such as all-in-one PCs) and offset VESA locations exert additional leverage that can exceed the capacity of the mount even though the monitor weight may be within the stated range. Please contact Atdec if you would like further information.

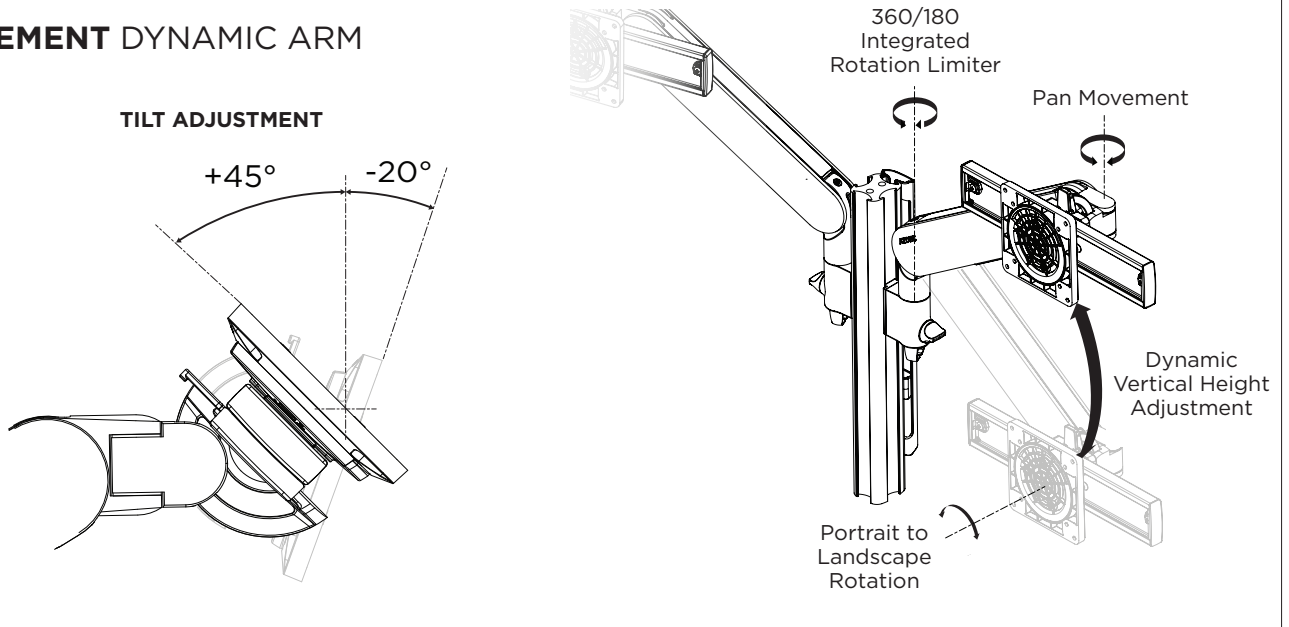
‡A display must meet each of the weight, depth and size specifications to be compatible. Smaller monitors may be compatible for workstations with deeper desk spaces.

Please contact Atdec if you would like further information

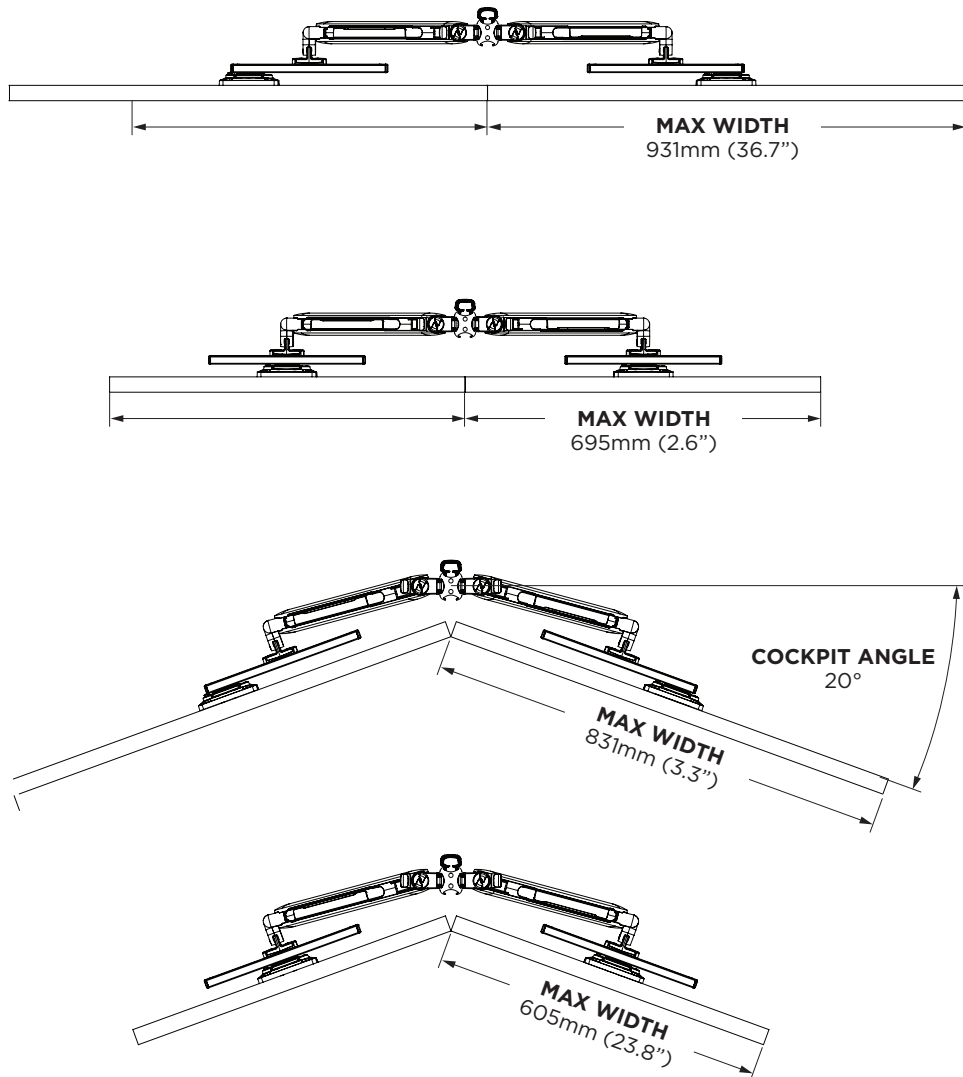
WARRANTY

10 years limited

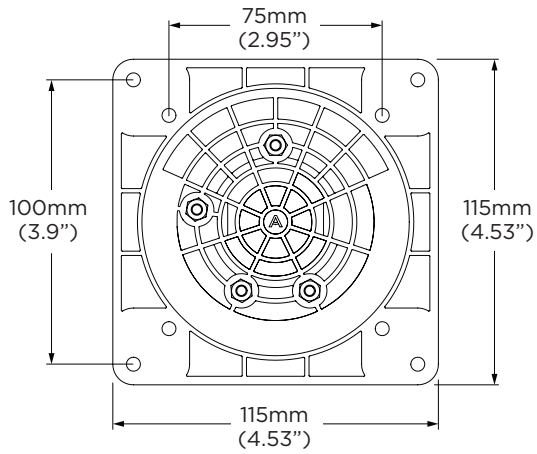
MOVEMENT DYNAMIC ARM



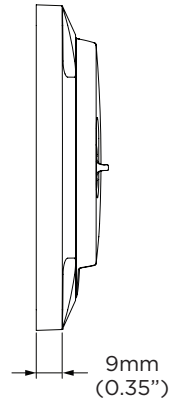
DIMENSIONS MONITOR SIZE AND POSITION



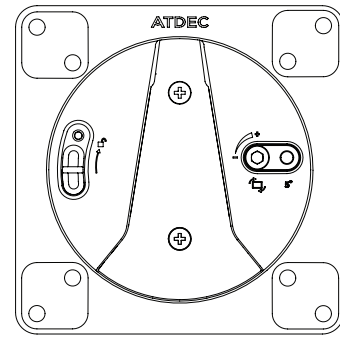
DIMENSIONS VESA HEAD



FRONT VIEW



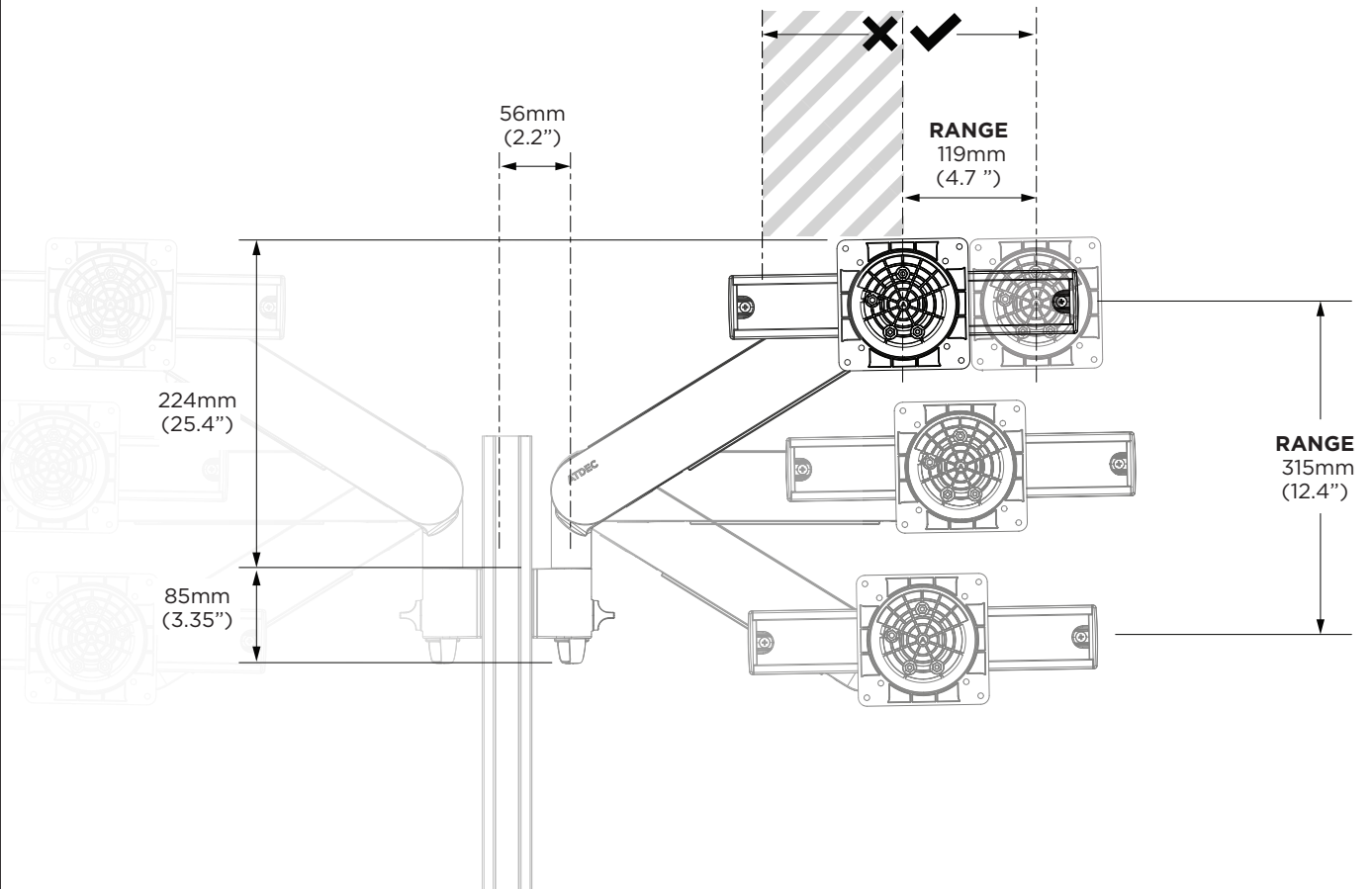
SIDE VIEW



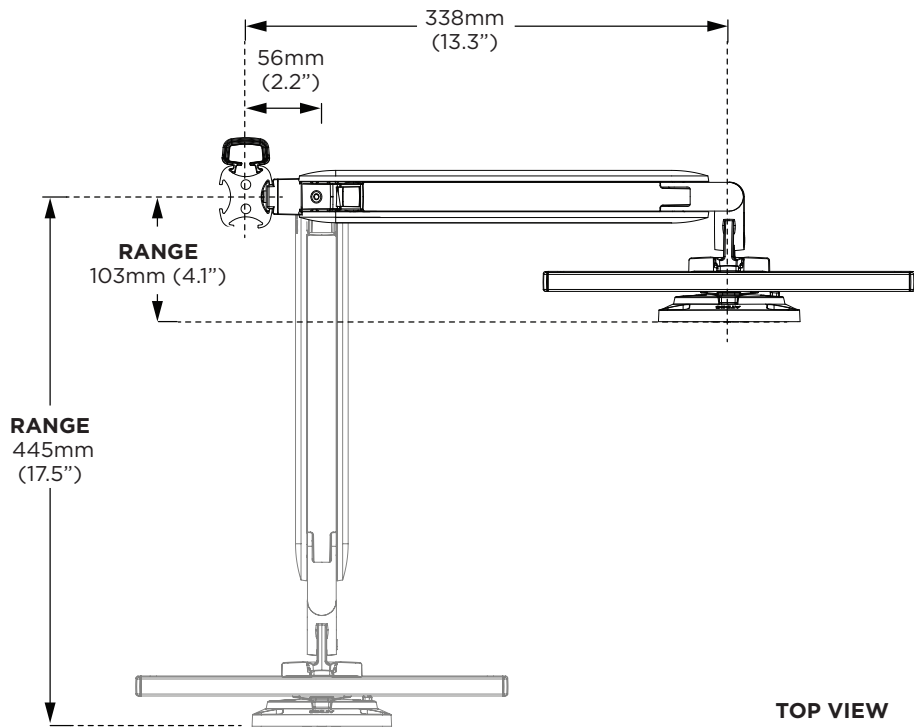
BACK VIEW

DIMENSIONS DYNAMIC ARM ON POST

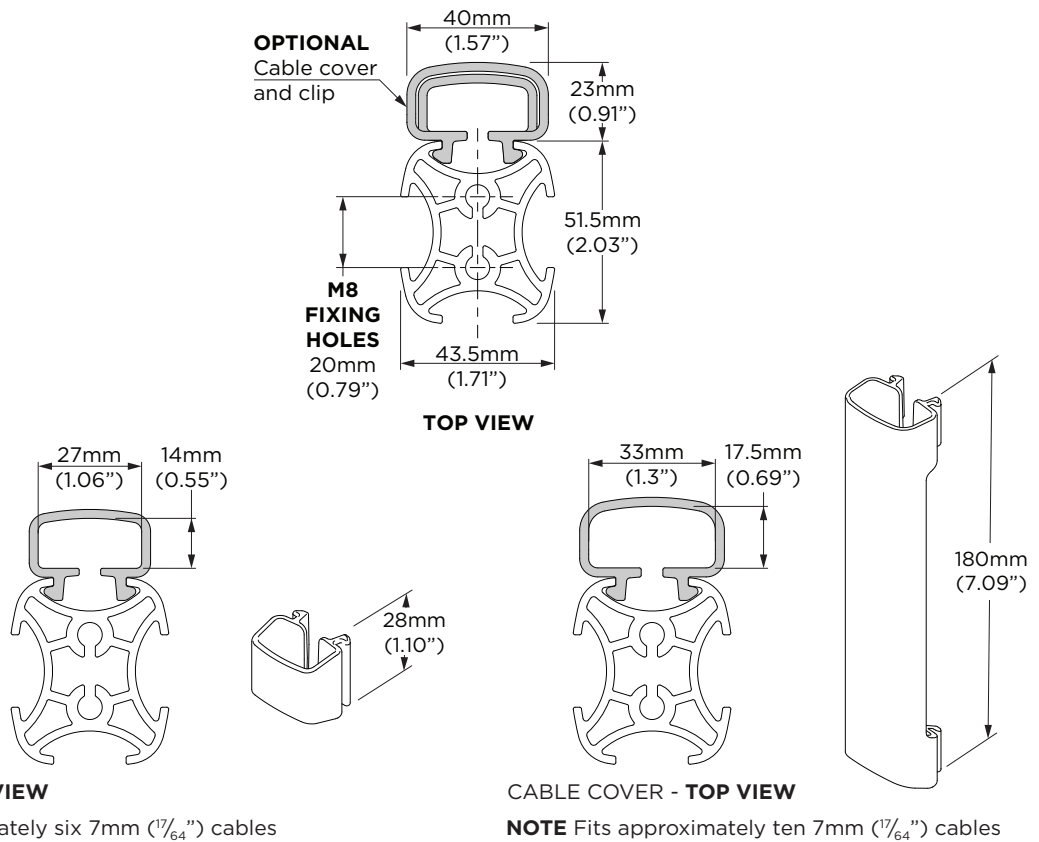
**Note: Do not position slider in the direction of the post.*



DIMENSIONS DYNAMIC ARM ON POST



DIMENSIONS POSTS + CABLE MANAGEMENT

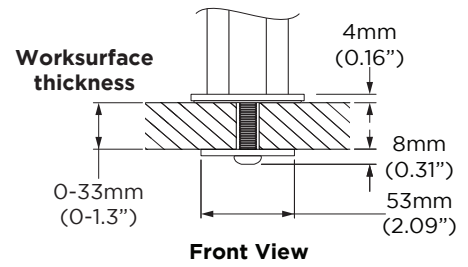
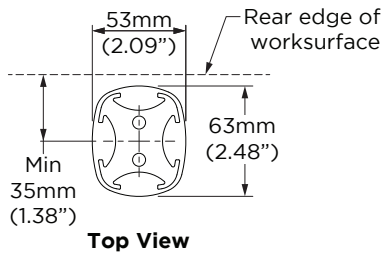
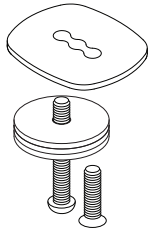


DESK FIXING OPTIONS

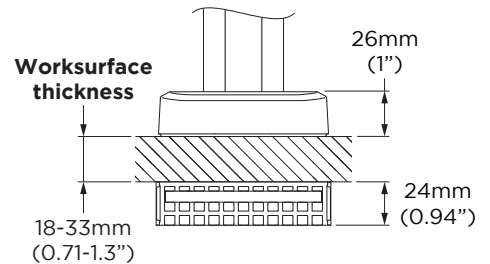
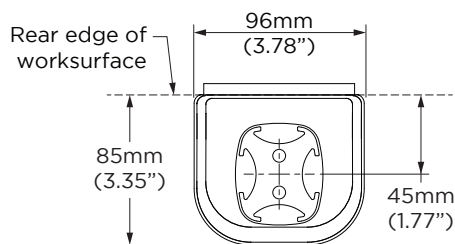
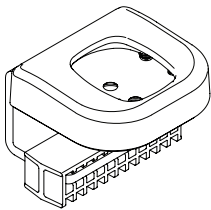
Below are the fixing options available for this solution. For more information and detailed specifications for these products please see the separate Technical Specifications available on the Atdec website.

NOTE: Chosen desk fixing must be added to this solution code when ordering.

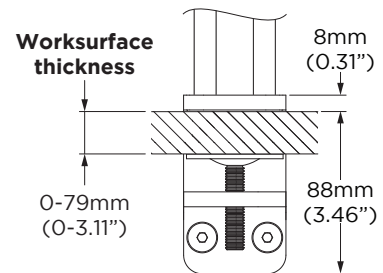
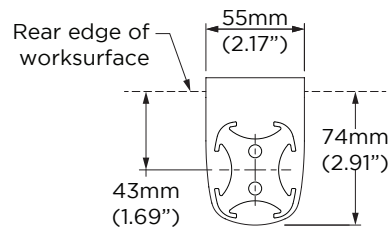
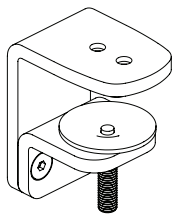
BOLT THROUGH AWM-FB



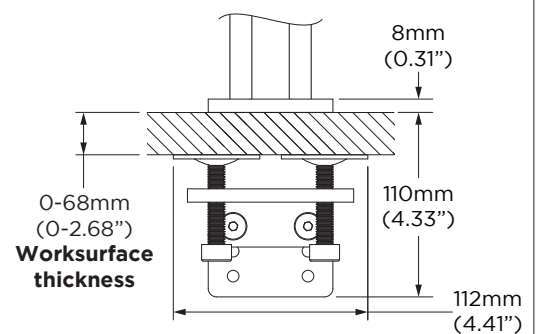
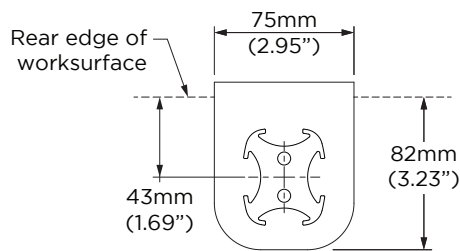
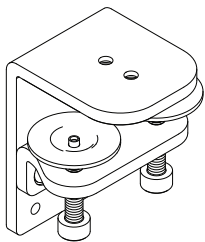
C CLAMP AWM-FC



F CLAMP AWM-FF



HEAVY DUTY F CLAMP AWM-FH



GROMMET CLAMP AC-GC

